

## Product Specification

## CrocLoc Tote Box Seal (UV732)



### Description

Versatile Tote box plug seal, suitable across a wide variety of tote boxes / attached lid containers (ALC's). Available from UK stock, or customised in a range of options. Manufactured in polypropylene, 100% recyclable.

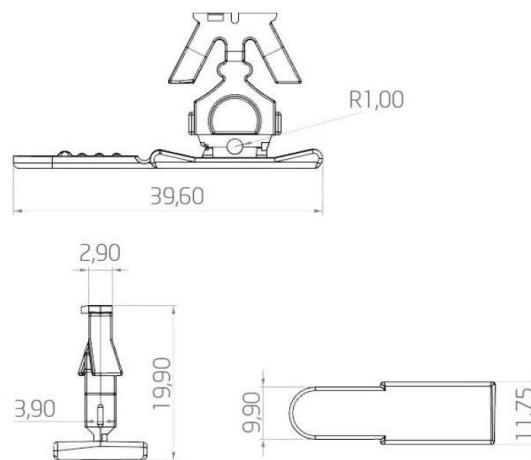
### Overview



Product Code	UV732
Dimensions	Overall 39.6x11.7x19.9mm
Raw Material	Polypropylene
Stock Option	White seal, with sequential barcode 128 and numbering
Customisation Options	Bespoke laser-printed logos, barcoding and number ranges
Standard Colours	White, yellow, red and blue
Temperature Range	-20°C to +80°C
Pull-apart Strength	3.5KgF
Sustainability	100% Recyclable



### Product Dimensions



### Packaging Info

UV732	
Quantity	3,000pcs
Carton Dimensions	24x30x34cm
Box Weight	3.5kg
Pallet Info	92x125x250cm (300,000pcs)

Last Updated: Feb 22